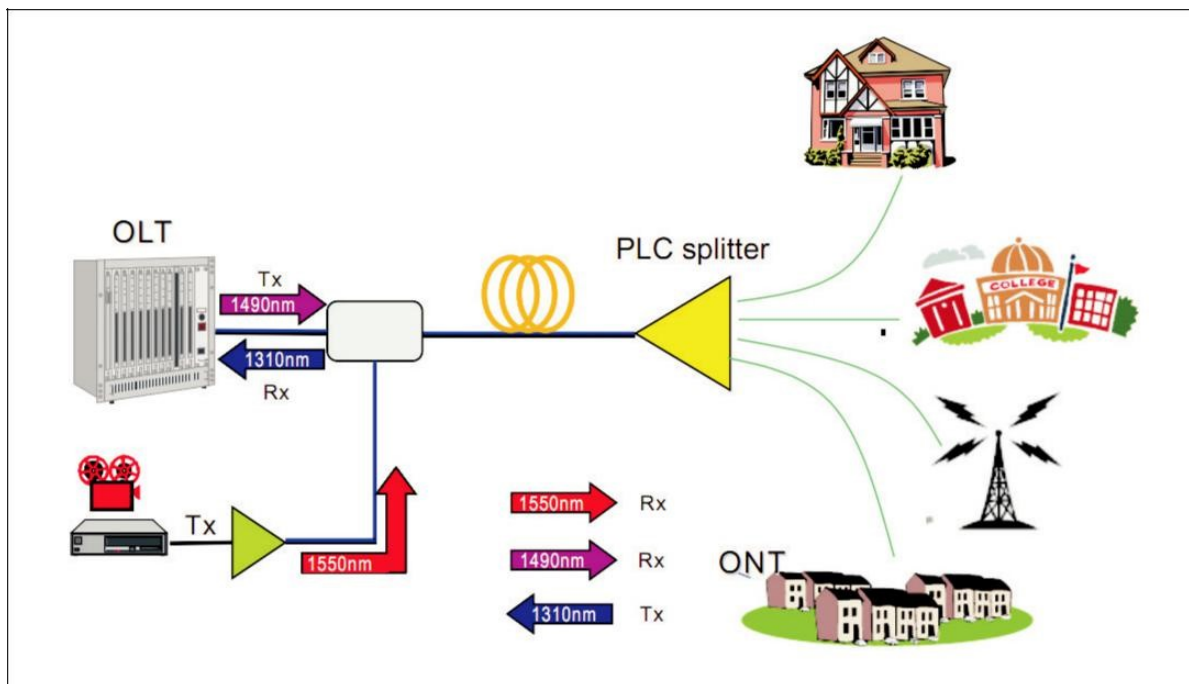




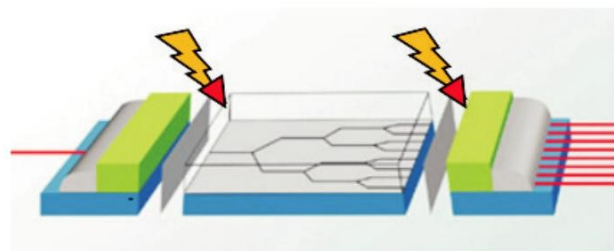
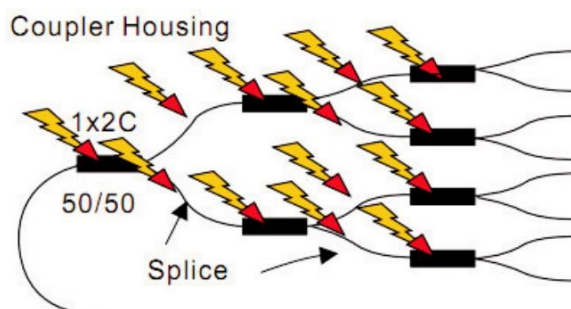
PLC SPLITTERS

PLC splitter is a waveguide device based on substrates of quartz, silicone or other materials, which is used for power coupling and reallocation of optical signals. It features low wavelength sensitivity, small size, high reliability, perfect splitting uniformity, wide wavelength range and so on, and is especially applicable to OLT and ONT connection and splitting of optical signals over FTTX passive optical networks. Presently Nepstech can provide full series MxN (M=1,2, N=2~64) products which are compatible with and match its own advantageous optical termination and distribution products to serve telecom operators perfectly.



Key Features

- Low insertion loss
- Broadband operation
- Excellent uniformity
- Low polarization dependent loss
- Low excess loss
- More credible and stable than fusion coupler splitter





PLC SPLITTERS

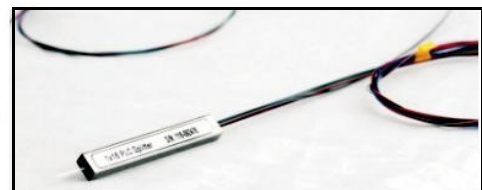
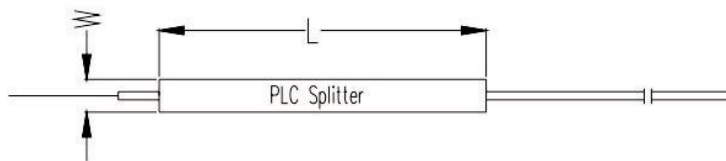
Specification

1xN optical splitters

Parameters		1x2	1x4	1x8	1x16	1x32	1x64
Operating Wavelength(nm)		1260 - 1650					
Insertion Loss (dB)	Max	4.0	7.3	10.5	13.7	16.9	21.0
Uniformity (dB)	Max	0.6	0.6	0.8	1.2	1.5	2.5
Return Loss(dB)	Min	50	50	50	50	50	50
PDL (dB)	Max	0.2	0.2	0.3	0.3	0.3	0.4
Directivity(dB)	Min	55	55	55	55	55	55
Pigtail length (m)		1.5 ± 0.1 or customer specified					
Fibre type		SMF – 28e or customer specified					
Wave length dependent loss(dB)	Max	0.5	0.5	0.5	0.5	0.5	0.5
Temp stability (-40~85°C)(dB)		±0.5±0.002					
Work temp(°C)		-40~85					
Storage temp(°C)		-40~85					

2xN optical splitters

Parameters		2x2	2x4	2x8	2x16	2x32	2x64
Operating Wavelength(nm)		1260 - 1650					
Insertion Loss (dB)	Max	4.0	7.6	11.0	14.5	17.5	21.0
Uniformity (dB)	Max	0.8	1.5	1.5	2.0	2.5	2.5
Return Loss(dB)	Min	50	50	50	50	50	50
PDL (dB)	Max	0.2	0.2	0.4	0.4	0.4	0.4
Directivity(dB)	Min	55	55	55	55	55	55
Pigtail length (m)		1.5 ± 0.1 or customer specified					
Fibre type		SMF – 28e or customer specified					
Wave length dependent loss(dB)	Max	0.5	0.5	0.5	0.5	0.5	0.5
Temp stability (-40~85°C)(dB)		±0.5±0.002					
Work temp(°C)		-40~85					
Storage temp(°C)		-40~85					



PLC SPLITTER	1 x 2	1 x 4	1 x 8	1 x 16	1 x 32	1 x 64
Length	40			50		60
Width	4			7		12
Heights	4					

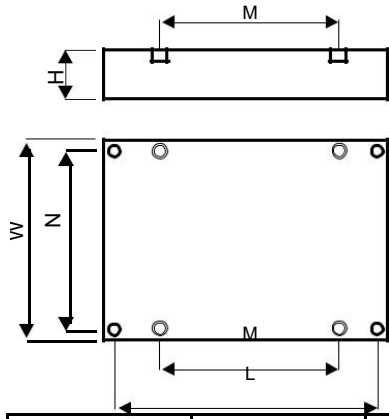
all in Millimeters (mm)



PLC SPLITTERS

Box Type PLC Splitter

For real-world applications, Nepstech provides a variety of cassette or box type splitters with connectors. They are available in either module cassette, rack-mount or wall-mount box with fibre diameter up to 3mm.



PLC SPLITTER	1 x 2	1 x 4	1 x 8	1 x 16	1 x 32	1 x 64
Length		100			120	140
Width		80			80	114
Heighths		10			18	18
M x N		70 x 74			80 x 74	100 x 106

all in Millimeters (mm)

Rack-type, DIN and 3U-19-inch Optical Splitter Unit

